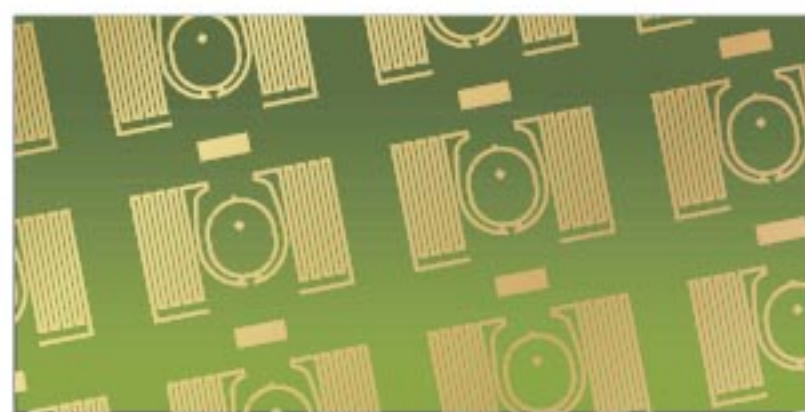




# FT-G1202 RFID Inlays

## – NXP Universal Type

The NXP Universal Type Inlays are general purpose RFID inlays optimized for use in item-level and case tagging applications.



- EPC Class 1 Gen2 / ISO 18000-6C
- Medium read ranges and higher read rate
- World Tag operated at global frequencies 860-960 MHz
- Available in high-yield, high-capacity rolls for high –volume converting processes
- NXP UCODE IC, 240 bits EPC number, with option 512 bits on-chip user memory

### RF Features

Operating frequency	Global (860-960 MHz)
Mode of operation	Passive (battery free)

### Electrical Characteristics

Protocol	EPC Class 1 Gen2 / ISO 18000-6C
Memory	240 bits EPC number Option: 512 bits on-chip user memory

### Inlay Material

Antenna	Copper, 6 $\mu$ m $\pm$ 1 $\mu$ m
UHF IC	Silicon, 150 $\mu$ m $\pm$ 15 $\mu$ m
Substrate	PET, 50 $\mu$ m $\pm$ 5 $\mu$ m

### Inlay Roll Format/Finishing

Core length	44.5mm
Core inner diameter	3" (76.2mm)
Core material	Chipboard or Favite approved material
Max roll outer diameter	11.8" (300mm)

### ESD & Inlay Handling

Human body model	1.5KV
Charged device mode	1.5KV

### Dry Inlay Specification

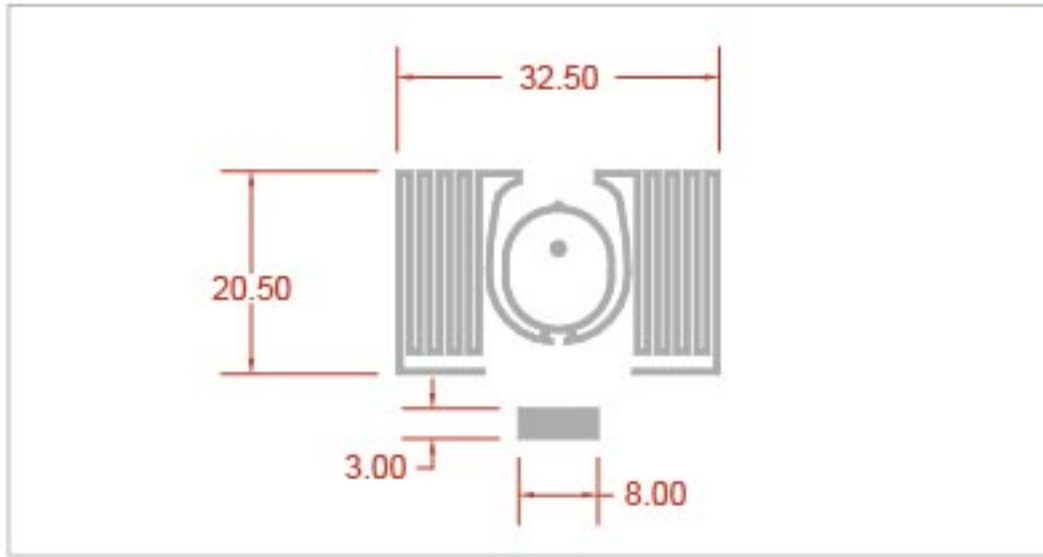
Antenna dimension (CDxMD)	32.5mm x 20.5mm
Standard pitch	30.5mm
Web width	42.5mm
Slit edge	5mm
Max units per roll	32,000

### Wet Inlay Specification

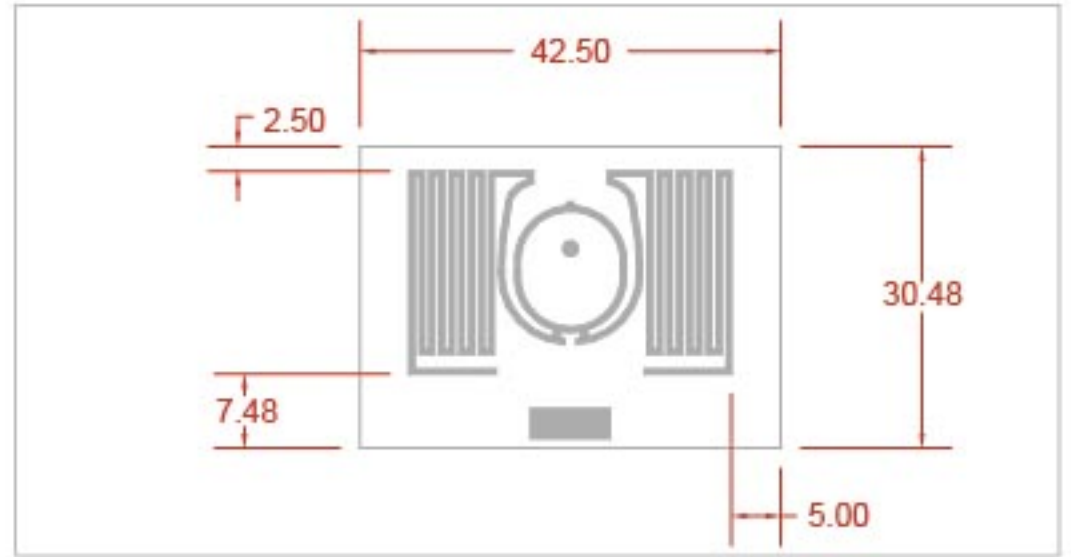
Antenna substrate dimension (CDxMD)	42.5mm x 30.5mm
Standard pitch	32.7mm
Web width	46.5mm
Inlay to liner adhesive	Acrylic Emulsion
Liner material	60 $\mu$ m supercalendered glassine
Max units per roll	32,000

### Environmental Specification

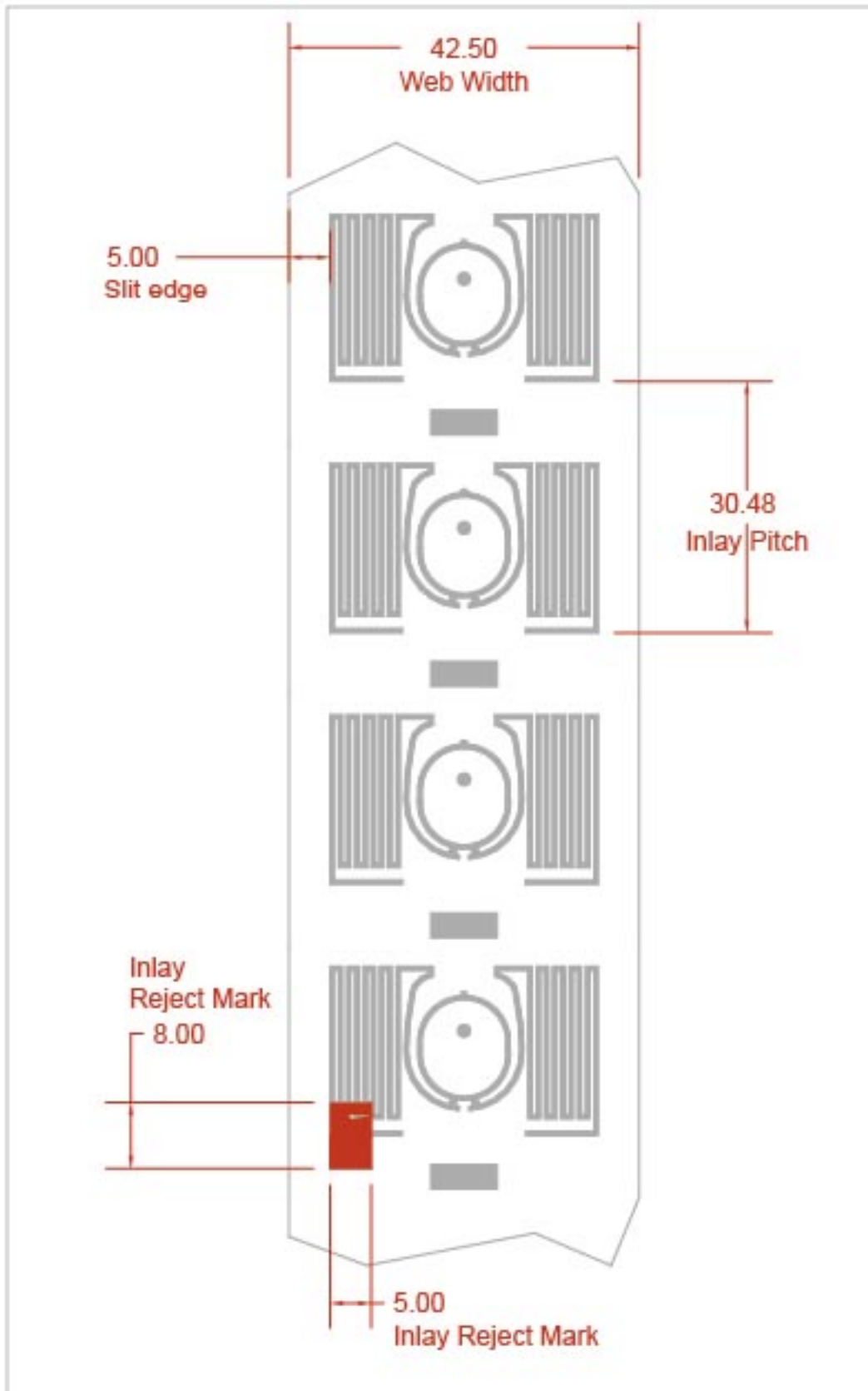
Shelf life	2 Years
Recommended storage	-25°C to +50°C
Conditions	20% to 90% RH
RoHs	2002/95/EC Compliant

**FT-G1202 Inlay General Dimensions**


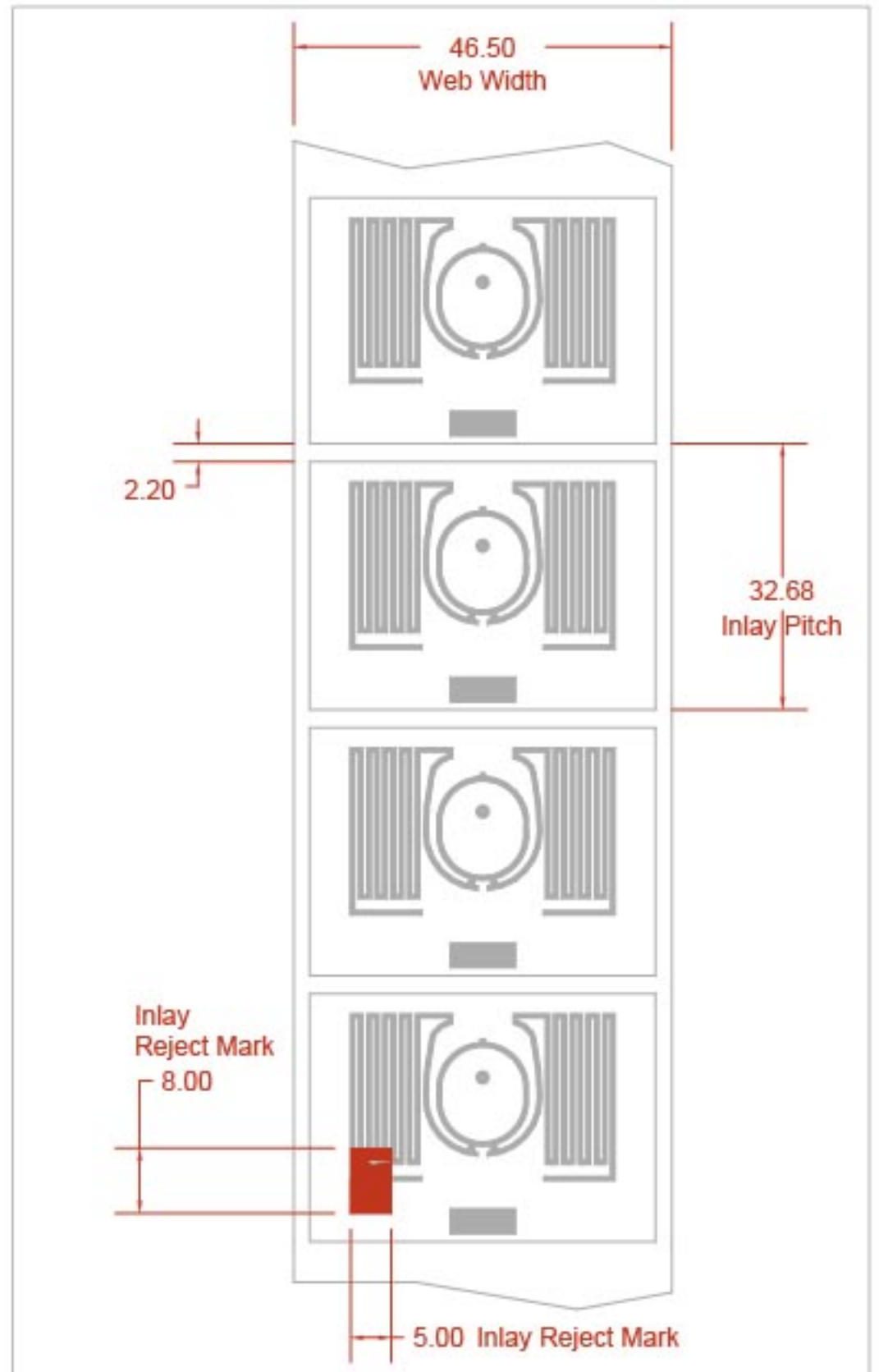
FT-G1202 (Dry Inlay)



FT-G1202 (Wet Inlay)

**FT-G1202 Inlay Roll Dimensions**


FT-G1202 (Dry Inlay)



FT-G1202 (Wet Inlay)

All Dimensions in mm

Favite Inc. reserves the right to change its products or services or to discontinue any product or service at any time without prior notice.